

SCU/NSCU Ivian Series Crown Case Service Counter



BENEFITS AT A GLANCE - SCU CROWN CASE SERVICE COUNTER

- The rectangular service counter is equipped with double-valve and double-control technology for more stable operation
- The standard remote controller is placed on the deck, convenient for customers to read temperatures and adjust parameters
- Double-sided counter with an integrated deck for an elegant appearance

BENEFITS AT A GLANCE - NSCU CROWN CASE SERVICE COUNTER

- Ordinary front panel cover, simple and premium, convenient for customers' renovation
- Aluminum alloy crash bar's color with optional colors
- The front and return air glass panels are effectively fixed to achieve a steady combination
- 912 mm in width, suitable for small-space layout

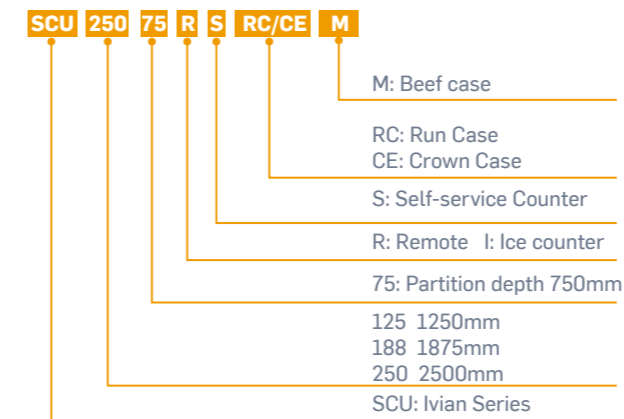


Standard Model	Crown Case	Dual-compartment Case	NSCU Remote Self-service Dual-compartment Service Counter/ Self-service Beef Case	NSCU Remote Self-service Crown Case Service Counter/ Self-service Beef Case
	SCU 207 75 R S CE / M SCU 207 75 R I CE	SCU 125/188/250 75 R S RC / M SCU 125/188/250 75 R I RC	SCU 125/188/250 65 R S RC	SCU 178 65 R S CE
Dimensions (Width)	2070	1250/ 1875/ 2500	1250/ 1875/ 2500	1780
Dimensions (Depth)	1035	2070	1780	891
Dimensions (Height)	870			
Operation Temperature (°C)	-1~ 5/ ≤ -2			
Temperature Grade	3 M1/3 S			
Rated Voltage (V)	220V			
Rated Frequency (Hz)	50Hz			
Net Weight (kg)	195	310/ 460/ 610	260/ 400/ 530	190
Display Area (m ²)	1.48	1.80/ 2.70/ 3.60	1.66/ 2.49/ 3.32	1.03
Effective Volume (m ³)	0.24	0.30/ 0.44/ 0.59	0.24/ 0.37/ 0.49	0.15
Energy Efficiency Level (EEL)	Grade 1			

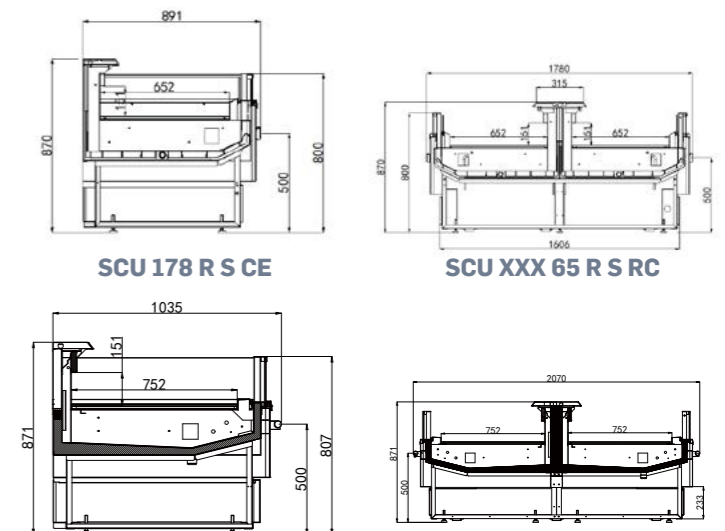
CONFIGURATION OPTIONS (STANDARD)

- Material options for bottom partition, return air grilles and back panel: powder coating
- Crash bar options: aluminum alloy
- Heat pipes of evaporator: without heat pipe
- Evaporator blower fan options: EBM Q motor*
- Evaporator Expansion Valve options: Carrier R404A evaporator expansion valve*
- Counter opening and crash bar options: light gray plastic counter opening + aluminum alloy crash bars
- Material options for bottom partition, return air grilles and back panel: powder coating
- Overnight blinds or lights (Self-service): without overnight blinds or lights
- Controller options: Carrier standard refrigeration controller unit*
- Price label: common sticker type, white
- Bottom bracket options: No bottom bracket
- Back panel options: no back panel
- Combinations for the counter opening: aluminum alloy, with columns

NOMENCLATURE



DIMENSION DRAWING



SCU Series Crown Case Service Counter

Equivalent brand products can be replaced. For more optional information, please refer to page 63.