

Linglong Series Integral Chest Freezer (Plug-in)



High efficiency and energy-saving



Free combination



Decent appearance

BENEFITS AT A GLANCE

- Large size hollow glass front display window, fully showcasing product details
- Up-down sliding doors on top for customer shopping easier
- Overall grand and stable effect, attracting customer attention, enhancing shopping experience
- Horizontal plug-in design, flexible movement, free combination, adjusting layout according to mall needs
- Operating temperature -18--25°C, meeting the temperature requirements for ice cream and other products
- Defrosting at regular intervals (timed) for energy-saving and environmental protection
- Refrigerant options of R404A and R290, with the variable frequency series recommending the use of R290 refrigerant for high efficiency and environmental friendliness

STANDARD CONFIGURATION

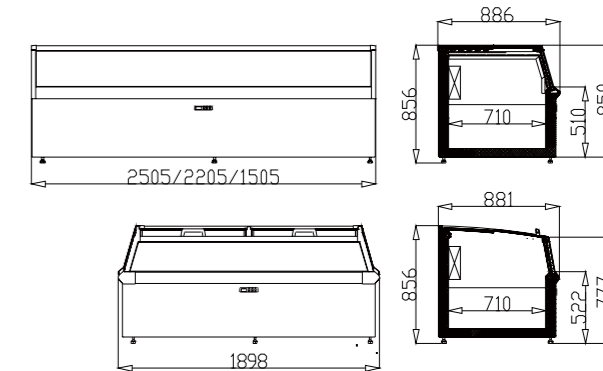
- Gray exterior plastic parts
- White interior sheet metal parts
- Adjustable bottom foot bolts
- White cabinet interior partition grid

OPTIONAL CONFIGURATION

- Black exterior plastic parts
- Black interior sheet metal parts
- Swivel casters
- Black cabinet interior partition grid
- Non-cold shelves

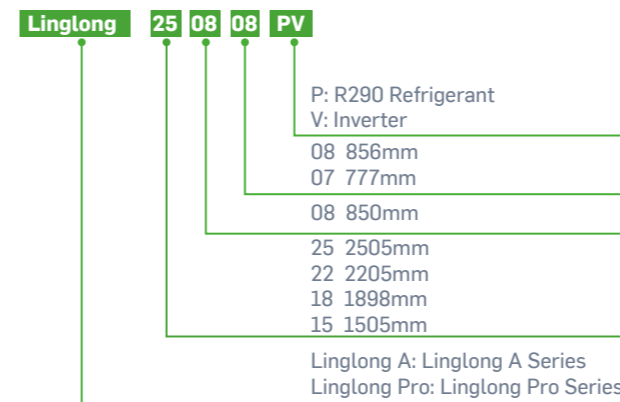


DIMENSION DRAWING



Linglong Series Integral Chest Freezer (Plug-in)

NOMENCLATURE



| Standard Model | LT Integral Chest Freezer | | | | | | | | |
|------------------------------------|---------------------------|------------------|------------------|------------------|------------------|---------------------|-------------------|-------------------|-------------------|
| | Linglong A Series | | | | | Linglong Pro Series | | | |
| | Linglong 150808A | Linglong 180808A | Linglong 220808A | Linglong 250808A | Linglong 180807A | Linglong 150808PV | Linglong 220808PV | Linglong 250808PV | Linglong 180807PV |
| Dimensions (Width) | 1505 | 1898 | 2205 | 2505 | 1898 | 1505 | 2205 | 2505 | 1898 |
| Dimensions (Depth) | 886 | 886 | 886 | 886 | 881 | 886 | 886 | 886 | 881 |
| Dimensions (Height) | 856 | | | | | 856 | | | |
| Operation Temperature (°C) | -18--25 | | | | | -18--25 | | | |
| Temperature Grade | 3 L1 | | | | | 3 L1 | | | |
| Rated Voltage (V) | 220V | | | | | 220V | | | |
| Rated Frequency (Hz) | 50Hz | | | | | 50Hz | | | |
| Net Weight (kg) | 120 | 130 | 150 | 180 | 130 | 120 | 150 | 180 | 13 |
| Display Area (m ²) | 0.95 | 1.12 | 1.40 | 1.55 | 1.12 | 0.95 | 1.40 | 1.55 | 1.12 |
| Effective Volume (m ³) | 0.390 | 0.450 | 0.620 | 0.720 | 0.450 | 0.390 | 0.620 | 0.720 | 0.450 |
| Energy Efficiency Level (EEL) | Grade 1 | | | | | Grade 1 | | | |