

CGL Boyar Series Service Over Counter with Sliding Doors



BENEFITS AT A GLANCE

- Translucent curved glass, simple and elegant
- Sliding glass covers, easy to pick up goods
- Optimized lighting, better displaying
- Brand new energy-saving design, better energy efficiency
- Full range of models, flexible combinations; various options for various application scenarios

CUSTOMER VALUE

- Large-sized Corner Service Counter, easy to combine;
- Optimized low temperature performance, energy saving and high efficiency
- Abundant accessories for various scenarios



CGL TR	CGL T R Remote Service Over Counter with Sliding Doors				CGL T P Plug-in Service Over Counter with Sliding Doors				CGL T R Remote Service Over Corner Counter with Sliding Doors
	125	188	250	375	125	188	250	375	EC90
Dimensions (Width)	1250	1875	2500	3750	1340	1965	2590	3840	1686
Dimensions (Depth)	1178								1686
Dimensions (Height)	1225								
Operation Temperature (°C)	-2~2								3~8
Temperature Grade	3 M1								3 S
Rated Voltage (V)	220V								
Rated Frequency (Hz)	50Hz								
Net Weight (kg)	165	225	295	345	190	250	320	370	190
Display Area (m ²)	0.92	1.38	1.84	2.76	1.09	1.50	1.98	2.93	1.43
Effective Volume (m ³)	0.19	0.29	0.38	0.57	0.19	0.29	0.38	0.57	0.24
Energy Efficiency Level (EEL)	Grade 1								/

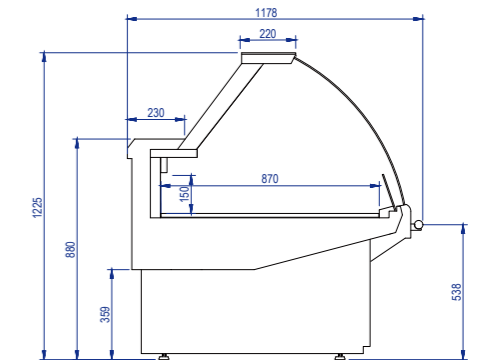
CONFIGURATION OPTIONS (STANDARD)

- Support legs: sheet metal legs
- Material options for bottom partition, return air grilles and back panel: powder coating
- Crash bar options: aluminum alloy
- Heat pipes of evaporator: without heat pipe
- Controller options: Carrier standard refrigeration controller unit*
- Evaporator blower fan options: EBM Q motor*
- Evaporator options: Carrier R404A evaporator*
- Lights: T8 energy-saving integrated LEDs 6500K

NOMENCLATURE

- CGL 87 T R 375**
- Width
125 1250mm
188 1875mm
250 2500mm
375 3750mm
 - R: Remote
P: Plug-in
 - T: Service counter with sliding doors
 - 87: shelf depth 870mm
 - CGL: curved glass service counter

DIMENSION DRAWING



CGL Service Over Counter with Sliding Doors

Equivalent brand products can be replaced. For more optional information, please refer to page 63.