

SGL Aries Series Self-service Counter



BENEFITS AT A GLANCE

- Translucent curved glass, simple and elegant & easy to pick up goods
- Various base solutions, adaptable to different counter heights or applications, flexible in choosing a suitable solution
- Multiple combinations for flexibility. Various configuration options: Self-service Counter, glass doors service counter, heating counter, Static-cooling ice counter, Corner Service Counter, etc.
- A full range of models (included Remote & Plug-in) to meet the multiple needs of users

CUSTOMER VALUE

- Self-service structure, easy to pick up goods
- Large-sized Corner Service Counter, easy to combine;
- Optimized low temperature performance, energy saving and high efficiency
- Abundant accessories for various scenarios



SGL SR	SGL S R Remote Self-service Counter						SGL S P Plug-in Self-service Counter				SGL S R Remote Self-service Corner Counter			
	063	094	125	188	250	375	125	188	250	375	EC90	IC45	REC90	
Dimensions (Width)	625	938	1250	1875	2500	3750	1340	1965	2590	3840	1686	1654	1627	
Dimensions (Depth)	1178									1686			1424	1627
Dimensions (Height)	880													
Operation Temperature (°C)	-2~2									3~8				
Temperature Grade	3 M1									3 S				
Rated Voltage (V)	220V													
Rated Frequency (Hz)	50Hz													
Net Weight (kg)	63	93	135	195	265	315	160	220	290	340	160	100	160	
Display Area (m ²)	0.53	0.79	1.07	1.60	2.15	3.22	1.17	1.70	2.25	3.32	1.32	0.95	1.32	
Effective Volume (m ³)	0.10	0.14	0.19	0.29	0.38	0.57	0.19	0.29	0.38	0.57	0.24	0.17	0.24	
Energy Efficiency Level (EEL)	Grade 1									/			/	

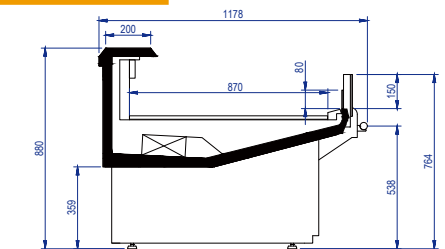
CONFIGURATION OPTIONS (STANDARD)

- Support legs: sheet metal legs
- Overnight blinds or lights: no overnight blinds or lights
- Material options for bottom partition, return air grilles and back panel: powder coating
- Crash bar options: aluminum alloy
- Heat pipes of evaporator: without heat pipe
- Controller options: Carrier standard refrigeration controller unit*
- Evaporator blower fan options: EBM Q motor*
- Evaporator options: Carrier R404A evaporator*

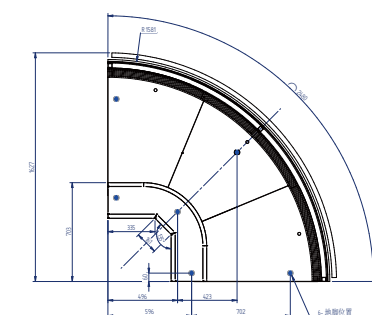
NOMENCLATURE

- SGL 87 S R 375**
- Width: 125 1250mm, 188 1875mm, 250 2500mm, 375 3750mm
 - EC90: 90° Exterior Angle
 - IC45: 45° Interior Angle
 - REC90: 90° Arc Exterior Angle
 - R: Remote
 - P: Plug-in
 - S: Self-service Counter
 - 87: shelf depth 870mm
 - SGL: Straight Glass Service Counter

DIMENSION DRAWING



SGL Aries Series self-service Counter



SGL 87 SR REC90

Equivalent brand products can be replaced. For more optional information, please refer to page 63.