

Remote Lunch Case



Benefits at a Glance

- Leading temperature control performance to realize lower storage temperature (-1~5 °C)
- Stylish appearance with selectable stainless steel wrapped edge;
- Squeezed multi-layer air curtain and high efficient evaporator to save energy and protect environment;
- Optional inclined column to expand display area
- Optional drawable shelf for quick replenishment
- Higher evaporating temperature design (-5 °C), more energy-efficient and environmental friendly
- saving investment costs and improving the area-effectiveness of the store

Standard Configuration

Standard Configuration	CLCR-A	CLCR	CLCR-C	CLCR-S
Interior color	Standard white			
exterior color	Standard white			
Night curtain:	With night curtain	With night curtain	Without night curtain	With night curtain
Lunch case expansion valve options	Carrier R404A expansion valve	Carrier R404A expansion valve	Carrier R404A expansion valve	Carrier R404A expansion valve
Lunch case shelf options:	Fixed glass shelf 6 layers FA:	CLCR/P855 365 fixed glass shelf 6 layers	CLCR/P855 365 fixed glass shelf 5 layers	Fixed glass panel-7 layers-30mm bar code
Split panel light option	CLCR fixed panel without light	CLCR fixed panel without light	CLCR fixed panel without light	/
Light box options:	Standard light box	Standard light box	Standard light box	/
Lunch case LED light options:	Channie 6500K	T8 Express, 6500K	T8 Express, 6500K	T8 Express, 6500K
Controller options	Carrier standard frozen controller	Carrier standard frozen controller	Carrier standard frozen controller	/
Wooden brace without side panels options:	Double side plates(without wooden brace)	Double side plates(without wooden brace)	Double side plates(without wooden brace)	/
Hole cover color options:	White hole cover	White hole cover	White hole cover	White hole cover
Evaporator fans options:	Match-Well fan	Match-Well fan	Match-Well fan	Stainless steel
Front end return air grilles:	Stainless steel	Stainless steel	Sheet metal dusting	Stainless steel
The top and front part decorative materials of the lunch case option	Sheet metal dusting	Stainless steel	Sheet metal dusting	Stainless steel

Naming Rules

C LC R 1710 C

C: Central
A: 5° Cabinet
X: 60Hz
V: Inverter
S: Slant

855 855 mm
1219 1219 mm
1710 1710 mm
2565 2565 mm

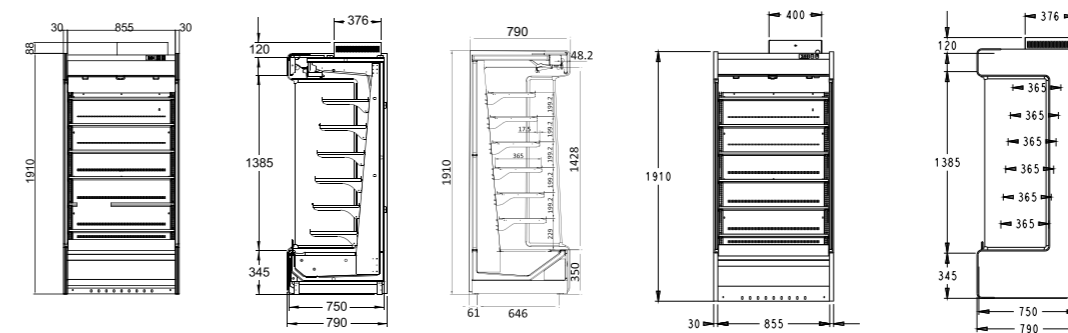
R: Remote
P: Plug-in

LC: Lunch Case

C: C-store



Dimension Drawing



Remote Lunch Case

Product Parameters

Standard Model	Remote Lunch Case			
	CLCR-A	CLCR	CLCR-C	CLCR-S
Width (mm)	855/1219/1710	855/1219/1710/2565	855/1219/1710	855/915/1219/1710/1830
Depth (mm)	750			
Height (mm)	1910			
Rated Voltage (V)	220			
Rated Frequency (Hz)	50/60			
Refrigeration temperature range (°C)	-1~5		1~10	
Net Weight (kg)	190/225/295	190/230/290/390	190/230/290	190/228/225/290/348
Display Area (m ²)	1.86/2.26/3.05	2.05/2.59/3.32/4.59	2.05/2.59/3.32	2.13/2.59/3.32/3.48
Effective Volume (m ³)	0.47/0.67/0.94	0.46/0.65/0.92/1.38	0.46/0.65/0.92	0.53/0.65/0.92/1.06
Energy Efficiency Level (EEL)	3/4	2/3/2/4	2/3/2	/